

Silencer Specification



OVERVIEW

The MD2 is engineered to provide a residential grade attenuation while minimizing space usage. It is an excellent choice for packaged power and process skids where space is a premium. Dual inlets and other custom designs can be easily incorporated. Suitable for use where background noise is relatively high and constant. The need for higher degrees of silencing should be minimal.

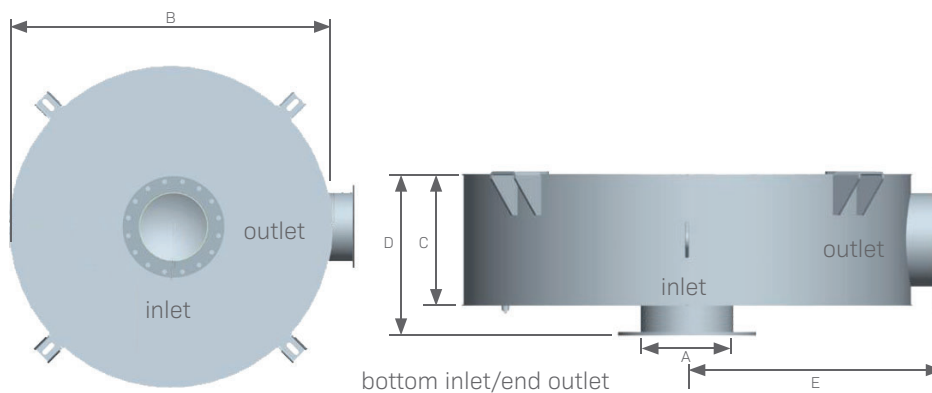
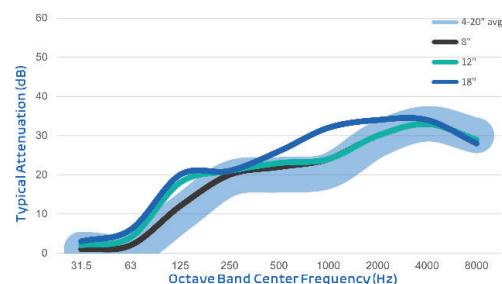
Typical Applications: Internal combustion engines, process skids, genset enclosures, as well as marine engines.

FEATURES

- Heavy duty, welded construction
- Unpacked/Non-insulated design
- ANSI drilled 125/150 lb. flanges on inlet and outlet
- High-temperature, prime coated black finish

OPTIONS / ACCESSORIES

- Stainless steel construction: 304 or 316
- Custom inlet/outlet size, location and multiple orientations available
- Support brackets
- Special paints and finishes available
- 1" to 2" internal insulation available
- Lift lugs/brackets
- Complete range of exhaust accessories



PRODUCT SPECS

Model-Size	A (size)	B (dia)	C (height)	Bottom Inlet/End Outlet		Est Wt
				D (OAL)	E	
MD2-04.0	4.0	22	7	11.0	15.0	103
MD2-05.0	5.0	24	8	12.0	16.0	119
MD2-06.0	6.0	28	9	12.5	18.0	147
MD2-08.0	8.0	33	13	17.0	20.5	242
MD2-10.0	10.0	41	13	17.0	24.5	329
MD2-12.0	12.0	45	17	21.0	26.5	464
MD2-14.0	14.0	52	18	22.0	30.0	539
MD2-16.0	16.0	59	21	25.0	33.5	716
MD2-18.0	18.0	65	23	27.0	36.5	825
MD2-20.0	20.0	74	27	31.0	41.0	985

- All dimensions are in inches. All weights are in pounds. Weights are approximate.
- Listed sound data is based on typical performance and should not be considered absolute.
- See nomenclature guide for additional information on part number creation.

Silencer Specification

MAXIM

• SILENCERS •

OVERVIEW

The MD3 is engineered to provide a critical grade attenuation while minimizing space usage. It is an excellent choice for packaged power and process skids where space is a premium. Dual inlets and other custom designs can be easily incorporated. Design not only reduces surface temperature, but also radiated noise. Suitable for use where background noise is extremely low, such as residential or hospital locations away from busy streets.

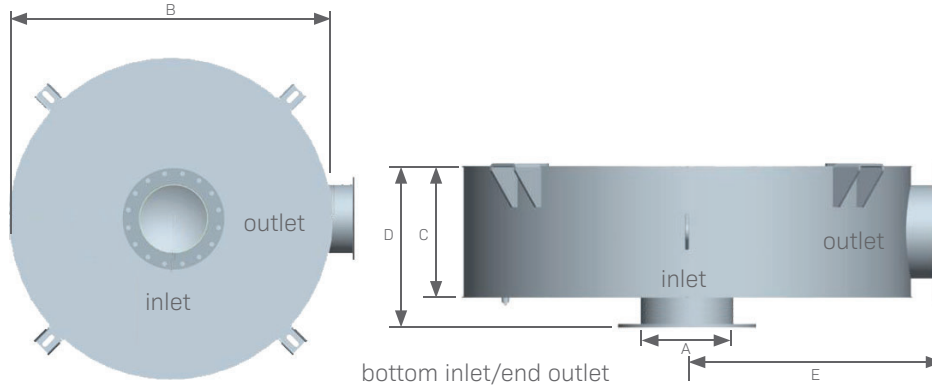
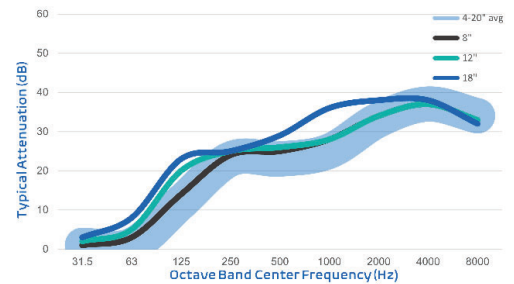
Typical Applications: Internal combustion engines, process skids, genset enclosures, as well as marine engines.

FEATURES

- Heavy duty, welded construction
- Low surface temperature design
- ANSI drilled 125/150 lb. flanges on inlet and outlet
- High-temperature, prime coated black finish
- 2" thick internal insulation within double wall construction

OPTIONS / ACCESSORIES

- Stainless steel construction: 304 or 316
- Custom inlet/outlet size, location and multiple orientations available
- Support brackets
- Special paints and finishes available
- 1" internal insulation available
- Lift lugs/brackets
- Complete range of exhaust accessories



PRODUCT SPECS

Model-Size	A (size)	B (dia)	C (height)	Bottom Inlet/End Outlet		Est Wt
				D (OAL)	E	
MD3-04.0	4.0	28	9	13.0	18.0	130
MD3-05.0	5.0	29	11	15.0	18.5	150
MD3-06.0	6.0	33	12	16.0	20.5	192
MD3-08.0	8.0	45	14	18.0	26.5	341
MD3-10.0	10.0	52	16	20.0	30.0	561
MD3-12.0	12.0	62	18	22.0	35.0	816
MD3-14.0	14.0	64	23	28.0	37.0	950
MD3-16.0	16.0	74	25	30.0	42.0	1,388
MD3-18.0	18.0	84	27	32.0	47.0	1,856
MD3-20.0	20.0	92	28	33.0	51.0	2,186

- All dimensions are in inches. All weights are in pounds. Weights are approximate.
- Listed sound data is based on typical performance and should not be considered absolute.
- See nomenclature guide for additional information on part number creation.

Silencer Specification



OVERVIEW

The MD4 is engineered to provide a super critical grade attenuation while minimizing space usage. It is an excellent choice for packaged power and process skids where space is a premium. Dual inlets and other custom designs can be easily incorporated. Design not only reduces surface temperature, but also radiated noise. Suitable for use where background noise is extremely low, such as residential or hospital locations away from busy streets.

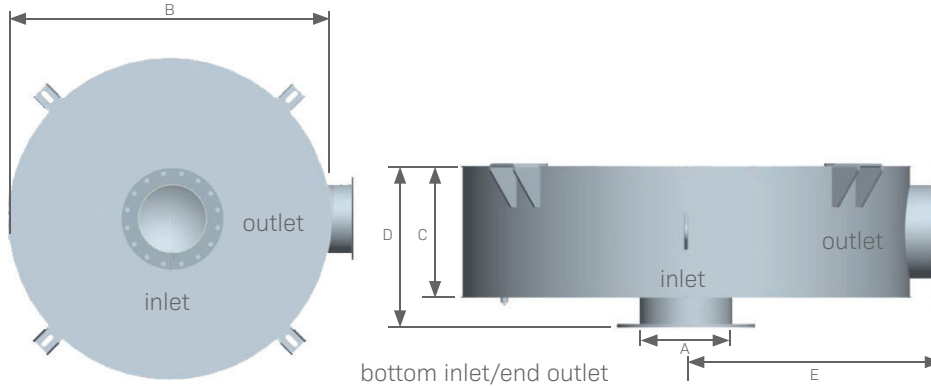
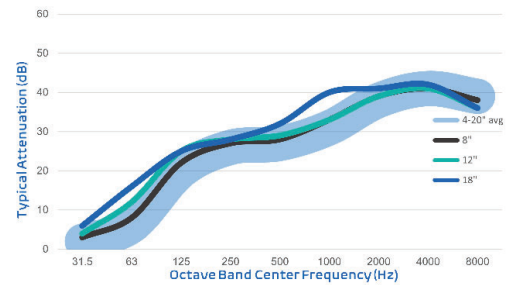
Typical Applications: Internal combustion engines, process skids, genset enclosures, as well as marine engines.

FEATURES

- Heavy duty, welded construction
- Low surface temperature design
- ANSI drilled 125/150 lb. flanges on inlet and outlet
- High-temperature, prime coated black finish
- 2" thick internal insulation within double wall construction

OPTIONS / ACCESSORIES

- Stainless steel construction: 304 or 316
- Custom inlet/outlet size, location and multiple orientations available
- Support brackets
- Special paints and finishes available
- 1" internal insulation available
- Lift lugs/brackets
- Complete range of exhaust accessories



PRODUCT SPECS

Model-Size	A (size)	B (dia)	C (height)	Bottom Inlet/End Outlet		Est Wt
				D (OAL)	E	
MD4-04.0	4.0	32	10	14.0	20.0	165
MD4-05.0	5.0	32	11	15.0	20.0	174
MD4-06.0	6.0	38	12	16.0	23.0	238
MD4-08.0	8.0	52	14	18.0	30.0	518
MD4-10.0	10.0	59	16	20.0	33.5	701
MD4-12.0	12.0	70	18	22.0	39.0	984
MD4-14.0	14.0	70	24	29.0	40.0	1,104
MD4-16.0	16.0	75	28	33.0	42.5	1,518
MD4-18.0	18.0	86	30	35.0	48.0	2,006
MD4-20.0	20.0	94	32	37.0	52.0	2,375

- All dimensions are in inches. All weights are in pounds. Weights are approximate.
- Listed sound data is based on typical performance and should not be considered absolute.
- See nomenclature guide for additional information on part number creation.

Silencer Specification

MAXIM

• SILENCERS •

OVERVIEW

The MD5 is engineered to provide a hospital grade attenuation while minimizing space usage. It is an excellent choice for packaged power and process skids where space is a premium. Dual inlets and other custom designs can be easily incorporated. Design not only reduces surface temperature, but also radiated noise. Suitable for use where background noise is extremely low, such as residential or hospital locations away from busy streets.

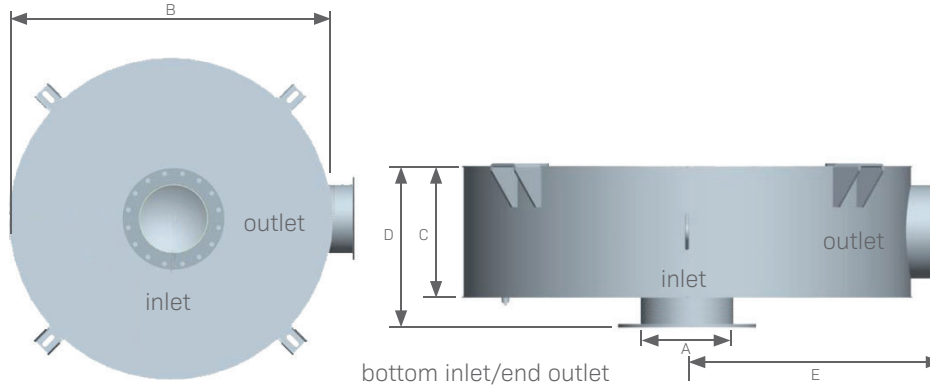
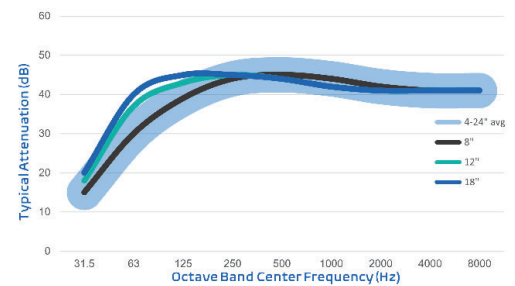
Typical Applications: Internal combustion engines, process skids, genset enclosures, as well as marine engines.

FEATURES

- Heavy duty, welded construction
- Low surface temperature design
- ANSI drilled 125/150 lb. flanges on inlet and outlet
- High-temperature, prime coated black finish
- 2" thick internal insulation within double wall construction

OPTIONS / ACCESSORIES

- Stainless steel construction: 304 or 316
- Custom inlet/outlet size, location and multiple orientations available
- Support brackets
- Special paints and finishes available
- 1" internal insulation available
- Lift lugs/brackets
- Complete range of exhaust accessories



PRODUCT SPECS

Model-Size	A (size)	B (dia)	C (height)	Bottom Inlet/End Outlet		Est Wt
				D (OAL)	E	
MD5-04.0	4.0	38	12	15.0	22.0	259
MD5-05.0	5.0	44	14	17.0	25.0	413
MD5-06.0	6.0	50	15	18.0	28.0	653
MD5-08.0	8.0	60	17	20.0	33.0	906
MD5-10.0	10.0	70	20	23.0	38.0	1,373
MD5-12.0	12.0	76	23	26.0	41.0	1,544
MD5-14.0	14.0	80	27	30.0	43.0	1,961
MD5-16.0	16.0	86	30	33.0	46.0	2,598
MD5-18.0	18.0	92	33	36.0	49.0	3,359
MD5-20.0	20.0	98	35	38.0	52.0	3,864

- All dimensions are in inches. All weights are in pounds. Weights are approximate.
- Listed sound data is based on typical performance and should not be considered absolute.
- See nomenclature guide for additional information on part number creation.