

Silencer Specification



OVERVIEW

The MR2 is engineered to provide a residential grade attenuation while minimizing space usage. It is designed specifically for enclosures and marine applications where silencer height is critical. Dual inlets and other custom designs can be easily incorporated. Design not only reduces surface temperature, but also radiated noise.

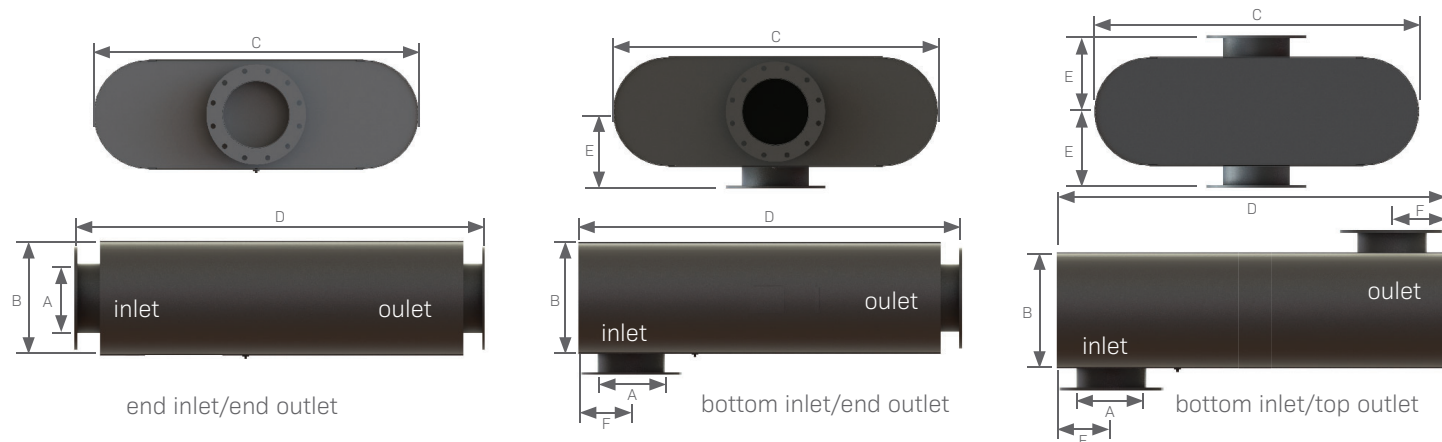
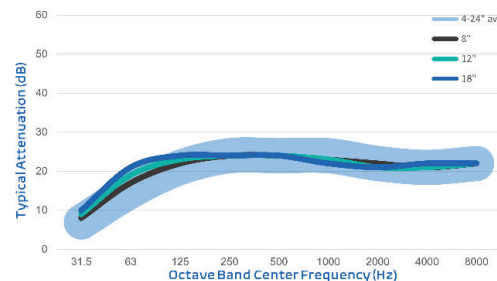
Typical Applications: Enclosures, as well as marine engines.

FEATURES

- Low surface temperature design
- Heavy duty, welded construction
- ANSI drilled 125/150 lb. flanges on inlet and outlet
- High-temperature, prime coated black finish

OPTIONS / ACCESSORIES

- Stainless steel construction: 304 or 316
- Custom inlet/outlet size, location and multiple orientations available
- Support brackets
- Special paints and finishes available
- 1" to 2" internal insulation available
- Lift lugs/brackets
- Complete range of exhaust accessories



Model-Size	A (size)	B (height)	C (width)	PRODUCT SPECS			E	F	Est Wt
				End Inlet/ End Outlet	Bottom Inlet/ End Outlet	Bottom Inlet/ Top Outlet			
MR2-04.0	4.0	7.0	24.0	D (OAL)	D (OAL)	D (OAL)	75	4.0	98
MR2-05.0	5.0	8.0	25.0	32.0	28.0	24.0	8.0	4.5	109
MR2-06.0	6.0	9.0	29.0	33.0	33.0	29.0	8.5	5.0	139
MR2-08.0	8.0	11.0	41.0	37.0	33.0	29.0	9.5	6.0	236
MR2-10.0	10.0	14.0	48.0	50.0	46.0	42.0	11.0	7.0	339
MR2-12.0	12.0	17.0	58.0	56.0	52.0	48.0	12.5	8.0	490
MR2-14.0	14.0	19.0	61.0	66.0	62.0	58.0	13.5	9.0	586
MR2-16.0	16.0	21.0	70.0	70.0	66.0	62.0	14.5	10.0	849
MR2-18.0	18.0	23.0	80.0	79.0	75.0	71.0	15.5	12.0	1,084
MR2-20.0	20.0	26.0	84.0	90.0	86.0	82.0	17.0	13.0	1,235
MR2-22.0	22.0	26.0	84.0	94.0	90.0	86.0	17.0	13.0	1,403
MR2-24.0	24.0	28.0	84.0	104.0	100.0	96.0	18.0	14.0	1,646

- All dimensions are in inches. All weights are in pounds. Weights are approximate.
- Listed sound data is based on typical performance and should not be considered absolute.
- See nomenclature guide for additional information on part number creation.