

Silencer Specification

MAXIM

• SILENCERS •

OVERVIEW

The MR3 is engineered to provide a critical grade attenuation while minimizing space usage. It is designed specifically for enclosures and marine applications where silencer height is critical. Dual inlets and other custom designs can be easily incorporated. Design not only reduces surface temperature, but also radiated noise.

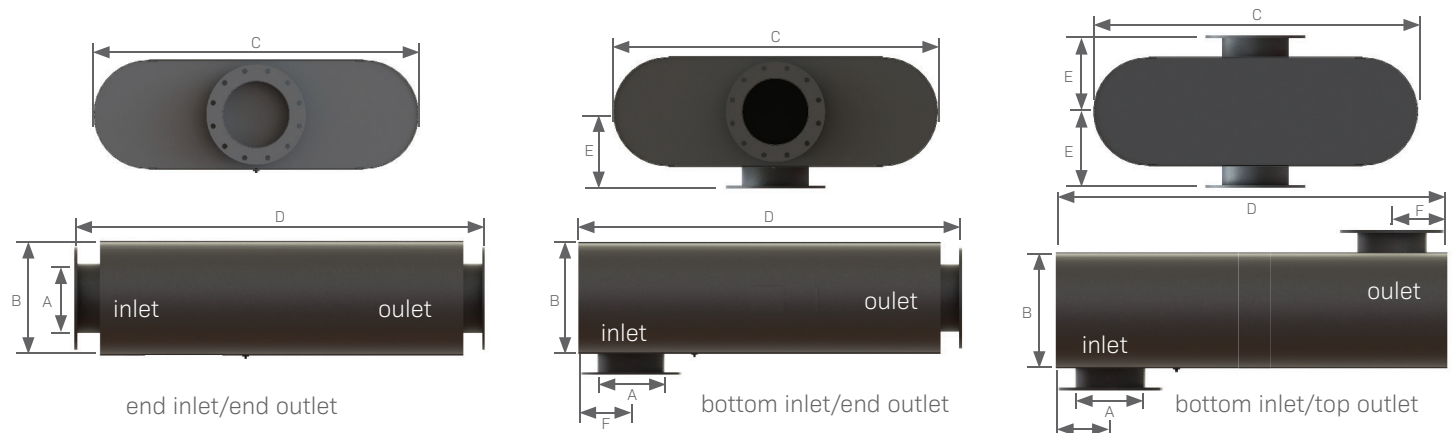
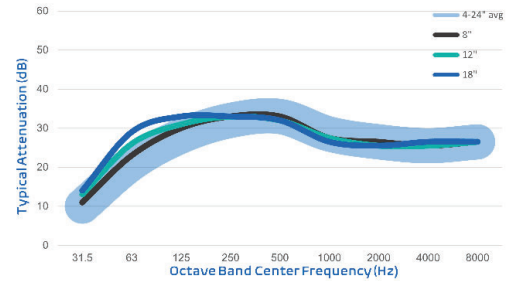
Typical Applications: Enclosures, as well as marine engines.

FEATURES

- Low surface temperature design
- Heavy duty, welded construction
- ANSI drilled 125/150 lb. flanges on inlet and outlet
- High-temperature, prime coated black finish
- 2" thick internal insulation within double wall construction

OPTIONS / ACCESSORIES

- Stainless steel construction: 304 or 316
- Custom inlet/outlet size, location and multiple orientations available
- Support brackets
- Special paints and finishes available
- 1" internal insulation available
- Lift lugs/brackets
- Complete range of exhaust accessories



PRODUCT SPECS				End Inlet/ End Outlet	Bottom Inlet/ End Outlet	Bottom Inlet/ Top Outlet			
	Model-Size	A (size)	B (height)	C (width)	D (OAL)	D (OAL)	D (OAL)	E	F
MR3-04.0	4.0	11.0	28.0	36.0	32.0	28.0	9.5	6.0	207
MR3-05.0	5.0	12.0	29.0	37.0	33.0	29.0	10.0	6.5	238
MR3-06.0	6.0	13.0	33.0	41.0	37.0	33.0	10.5	7.0	299
MR3-08.0	8.0	15.0	45.0	54.0	50.0	46.0	11.5	8.0	584
MR3-10.0	10.0	18.0	52.0	60.0	56.0	52.0	13.0	9.0	772
MR3-12.0	12.0	21.0	62.0	70.0	66.0	62.0	14.5	10.0	1,279
MR3-14.0	14.0	23.0	65.0	74.0	70.0	66.0	15.5	11.0	1,449
MR3-16.0	16.0	25.0	74.0	83.0	79.0	75.0	16.5	12.0	1,841
MR3-18.0	18.0	27.0	84.0	94.0	90.0	86.0	17.5	14.0	2,405
MR3-20.0	20.0	30.0	88.0	98.0	94.0	90.0	19.0	15.0	2,702
MR3-22.0	22.0	30.0	88.0	108.0	104.0	100.0	19.0	15.0	3,160
MR3-24.0	24.0	32.0	88.0	120.0	116.0	112.0	20.0	16.0	3,733

- All dimensions are in inches. All weights are in pounds. Weights are approximate.
- Listed sound data is based on typical performance and should not be considered absolute.
- See nomenclature guide for additional information on part number creation.