

Silencer Specification



OVERVIEW

The MR4 is engineered to provide a super critical grade attenuation while minimizing space usage. It is designed specifically for enclosures and marine applications where silencer height is critical. Dual inlets and other custom designs can be easily incorporated. Design not only reduces surface temperature, but also radiated noise.

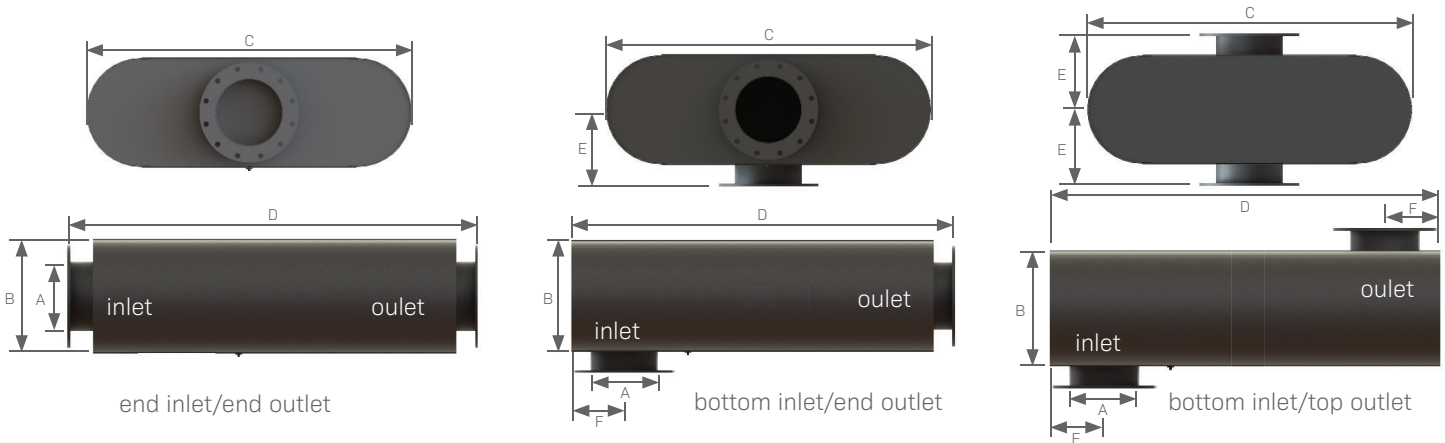
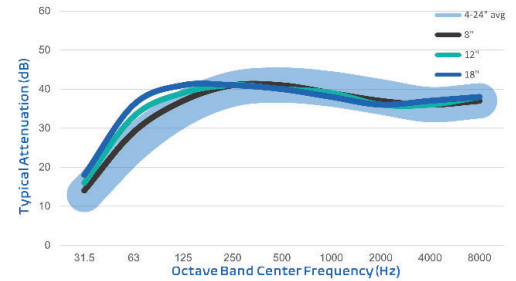
Typical Applications: Enclosures, as well as marine engines.

FEATURES

- Low surface temperature design
- Heavy duty, welded construction
- ANSI drilled 125/150 lb. flanges on inlet and outlet
- High-temperature, prime coated black finish
- 2" thick internal insulation within double wall construction

OPTIONS / ACCESSORIES

- Stainless steel construction: 304 or 316
- Custom inlet/outlet size, location and multiple orientations available
- Support brackets
- Special paints and finishes available
- 1" internal insulation available
- Lift lugs/brackets
- Complete range of exhaust accessories



Model-Size	PRODUCT SPECS			End Inlet/ End Outlet	Bottom Inlet/ End Outlet	Bottom Inlet/ Top Outlet	E	F	Est Wt
	A (size)	B (height)	C (width)	D (OAL)	D (OAL)	D (OAL)			
MR4-04.0	4.0	11.0	28.0	42.0	38.0	34.0	9.5	6.0	251
MR4-05.0	5.0	12.0	29.0	42.0	38.0	34.0	10.0	6.5	279
MR4-06.0	6.0	13.0	33.0	46.0	42.0	38.0	10.5	7.0	344
MR4-08.0	8.0	15.0	45.0	60.0	56.0	52.0	11.5	8.0	660
MR4-10.0	10.0	18.0	52.0	67.0	63.0	59.0	13.0	9.0	876
MR4-12.0	12.0	21.0	62.0	78.0	74.0	70.0	14.5	10.0	1,444
MR4-14.0	14.0	23.0	65.0	78.0	74.0	70.0	15.5	11.0	1,537
MR4-16.0	16.0	25.0	74.0	84.0	80.0	76.0	16.5	12.0	1,866
MR4-18.0	18.0	27.0	84.0	96.0	92.0	88.0	17.5	14.0	2,461
MR4-20.0	20.0	30.0	88.0	102.0	98.0	94.0	19.0	15.0	2,822
MR4-22.0	22.0	30.0	88.0	114.0	110.0	106.0	19.0	15.0	3,349
MR4-24.0	24.0	32.0	88.0	122.0	118.0	114.0	20.0	16.0	3,800

- All dimensions are in inches. All weights are in pounds. Weights are approximate.
- Listed sound data is based on typical performance and should not be considered absolute.
- See nomenclature guide for additional information on part number creation.