

Silencer Specification

MAXIM • SILENCERS •

OVERVIEW

The MR7 is engineered to provide an extreme grade attenuation while minimizing space usage. It is designed specifically for enclosures and marine applications where silencer height is critical. Dual inlets and other custom designs can be easily incorporated. Design not only reduces surface temperature, but also radiated noise.

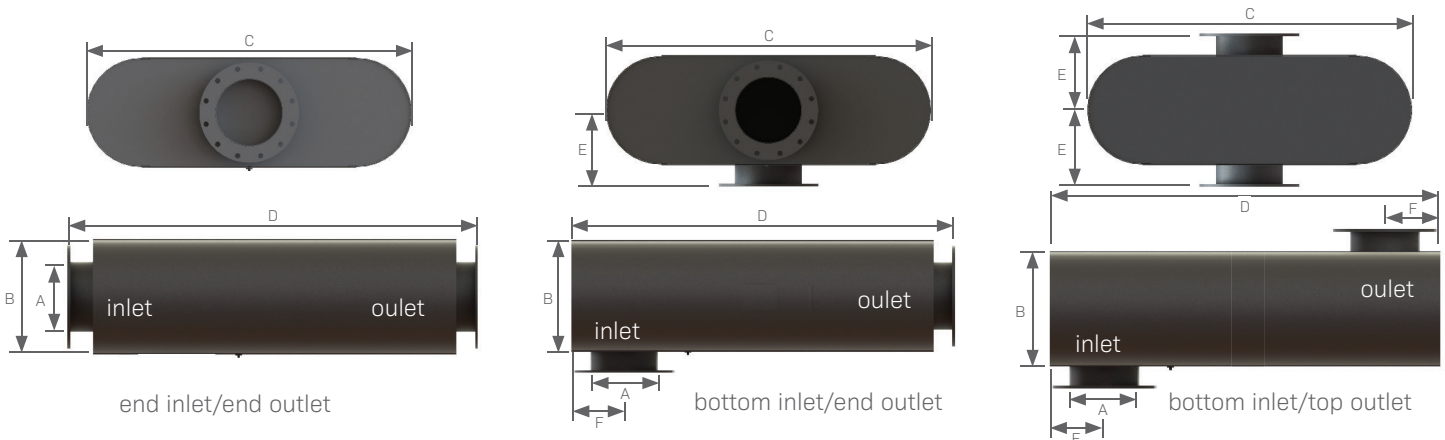
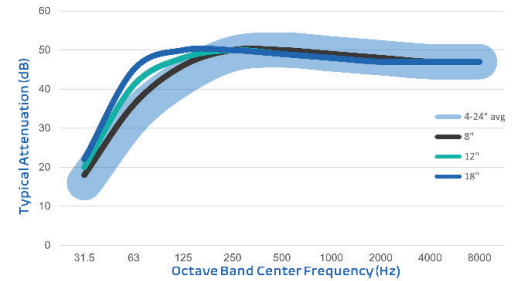
Typical Applications: Enclosures, as well as marine engines.

FEATURES

- Low surface temperature design
- Heavy duty, welded construction
- ANSI drilled 125/150 lb. flanges on inlet and outlet
- High-temperature, prime coated black finish
- 2" thick internal insulation within double wall construction

OPTIONS / ACCESSORIES

- Stainless steel construction: 304 or 316
- Custom inlet/outlet size, location and multiple orientations available
- Support brackets
- Special paints and finishes available
- 1" internal insulation available
- Lift lugs/brackets
- Complete range of exhaust accessories



Model-Size	A (size)	B (height)	C (width)	PRODUCT SPECS			E	F	Est Wt
				End Inlet/ End Outlet	Bottom Inlet/ End Outlet	Bottom Inlet/ Top Outlet			
MR7-04.0	4.0	12.0	38.0	70.0	66.0	62.0	10.0	8.0	512
MR7-05.0	5.0	13.0	40.0	70.0	66.0	62.0	10.5	9.0	554
MR7-06.0	6.0	14.0	42.0	82.0	78.0	74.0	11.0	9.0	703
MR7-08.0	8.0	16.0	62.0	106.0	102.0	98.0	12.0	10.0	1,473
MR7-10.0	10.0	18.0	70.0	112.0	108.0	104.0	13.0	11.0	1,795
MR7-12.0	12.0	22.0	74.0	124.0	120.0	116.0	15.0	12.0	2,598
MR7-14.0	14.0	28.0	78.0	124.0	120.0	116.0	18.0	13.0	2,971
MR7-16.0	16.0	32.0	82.0	130.0	126.0	122.0	20.0	14.0	3,411
MR7-18.0	18.0	34.0	92.0	154.0	150.0	146.0	21.0	15.0	4,400
MR7-20.0	20.0	36.0	96.0	154.0	150.0	146.0	22.0	16.0	4,685
MR7-22.0	22.0	38.0	102.0	156.0	152.0	148.0	23.0	15.0	5,544
MR7-24.0	24.0	40.0	108.0	168.0	164.0	160.0	24.0	16.0	6,577

- All dimensions are in inches. All weights are in pounds. Weights are approximate.
- Listed sound data is based on typical performance and should not be considered absolute.
- See nomenclature guide for additional information on part number creation.